



Vaccine Tracking System (VTrckS)

Program Managers Meeting

February 2, 2012

SAFER • HEALTHIER • PEOPLE™

• CHRONIC DISEASE PREVENTION • INFECTIOUS DISEASE PROTECTION • IMMUNIZATION • INJURY PREVENTION • P
CHILD HEALTH • GLOBAL PARTNERSHIPS • MINORITY OUTREACH • MONITORING HEALTH • COMMUNITY PARTNERSHIPS
SAFER • HEALTHIER • PEOPLE • SAFER • HEALTHIER • PEOPLE • SAFER • HEALTHIER • PEOPLE • SAFER • HEA
HEALTH EDUCATION • EPIDEMIOLOGY • WORKPLACE HEALTH • IMMUNIZATION • WORKPLACE SAFETY • TRAINING • C
TH • PREVENTION RESEARCH • PRIVATE SECTOR PARTNERSHIPS • PUBLIC HEALTH WORKFORCE • WOMEN'S HEALTH

Agenda

- Introductions & Overview (Anjella Vargas-Rosales)
- Deployment Scheduling (Brad Prescott)
- VTrckS Demonstration (Jeanne Santoli)
- Data Cleansing and Conversion (Lisa Galloway)
- VTrckS Training Experience (Harneyca Hooper)
- Question & Answer; Wrap Up (Nabeel Khan)

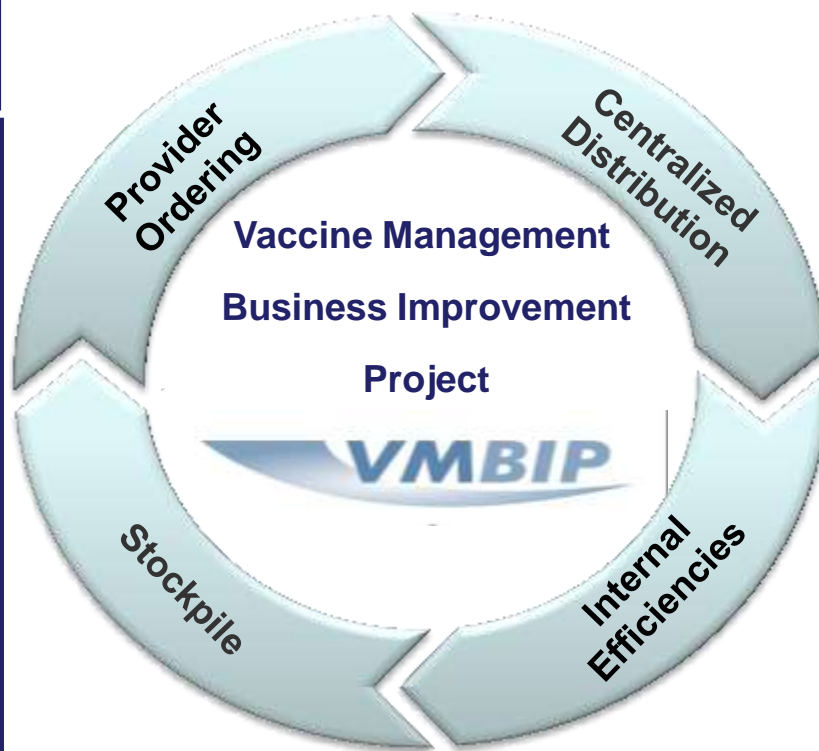
Breakout Sessions

- ExIS (Janet Fath)
- VTrckS Direct Provider Prep (Brad Prescott and Paul Abamonte)

VTrckS is Part of VMBIP: CDC's Larger Effort to Modernize Vaccine Delivery

Vaccine Tracking System (VTrckS)

- An integrated system that supports end to end vaccine management
- Standardized and automated system that supports on-line provider ordering
- Business rules facilitate grantee order review
- Provides monitoring and replenishment of CDC's vaccine inventory
- Manages CDC's vaccine purchase contracts, state vaccine budgets and spend plans
- Near real-time inventory visibility and order status
- Improved operational efficiency and controls



Centralized Distribution

- Vaccines are now distributed from two national locations
- Eliminates need for multiple state and health department depots
- Reduces storage risks and distribution costs

Internal Efficiencies

- Improved funds management processes
- Improved inventory management results in enhanced visibility and significant savings
- Reduced administrative processes

Stockpile

- Migration of part of the Pediatric Vaccine Stockpile from the manufacturer to the distributor
- Improved preparedness capabilities for public health crises

Quick Facts About VTrckS

- VTrckS is an enterprise-wide IT solution that provides end-to-end management of publicly-funded vaccine and supports:
 - 4 pilot Grantees and their providers
 - CDC:
 - Immunization program staff and multiple business offices
 - Business Partners:
 - HHS Unified Financial Management System (UFMS)
 - Vaccine Manufacturers
 - CDC Centralized Distributor
- Once fully rolled out to remaining grantees, VTrckS will support:
 - Grantee Immunization Program Offices:
 - All states, territories, and urban area programs
 - Providers:
 - ~100,000 end users located at 44,000 participating provider sites

High-Level Milestones & Accomplishments

- December 13, 2010
 - Go-Live of VTrckS Release 1.0
 - All provider vaccine orders are processed in VTrckS
 - 4 pilot grantees use VTrckS directly (Chicago, Michigan, Washington, Colorado)
 - Vaccine orders from the remaining 59 grantees are seamlessly interfaced to VTrckS
 - Retired NIPVAC legacy system with all funds, contracts, and inventory management transitioned to VTrckS
- February 2012
 - ~2 million vaccine orders processed through VTrckS and more than 500 users are enrolled
 - ~93.3 million doses processed through VTrckS (~7.6 million for pilots, ~85.7 million for non-pilots)
- February 27, 2012
 - Go-Live of Release 2.0 will begin deployment to the remaining 59 grantees
- June 2013
 - Completion of deployment to all grantees

Release 2.0 Offers Enhancements in 4 Key Areas

Provider Functionality

- Improved Provider Ordering Flow
- Improved Search Features
- Improved Navigation

Grantee Functionality

- Improved Search Features
- Auto-populating NDC's on Doses Administered Transactions
- Grantee to Provider Messaging
- Consolidated Vaccine Request Screen

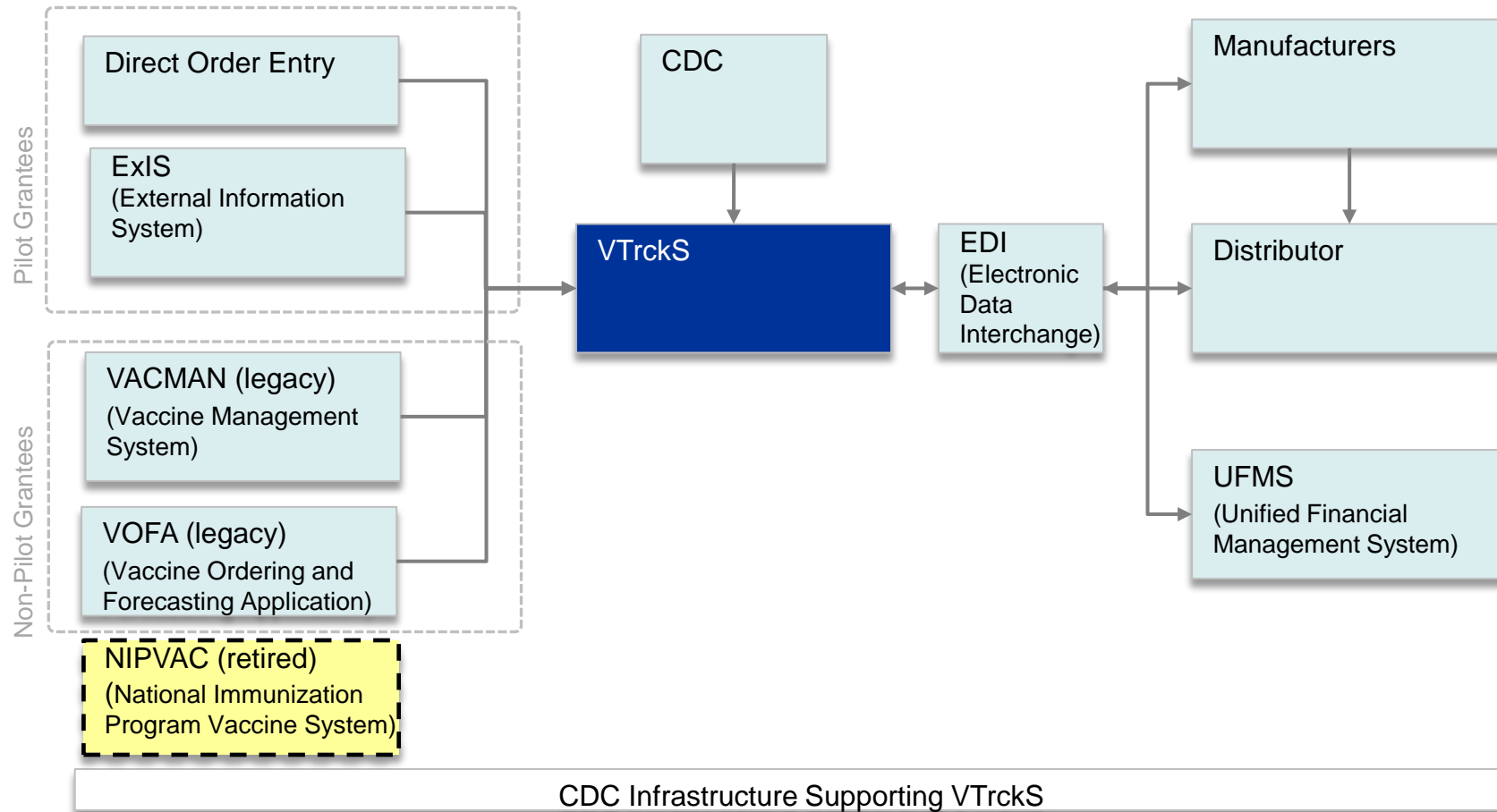
Spend Plan Functionality

- Improved Screen Layouts
- Home Page Displays Spend Plan Metrics in a Tabbed Format
- Redesigned Messaging Features

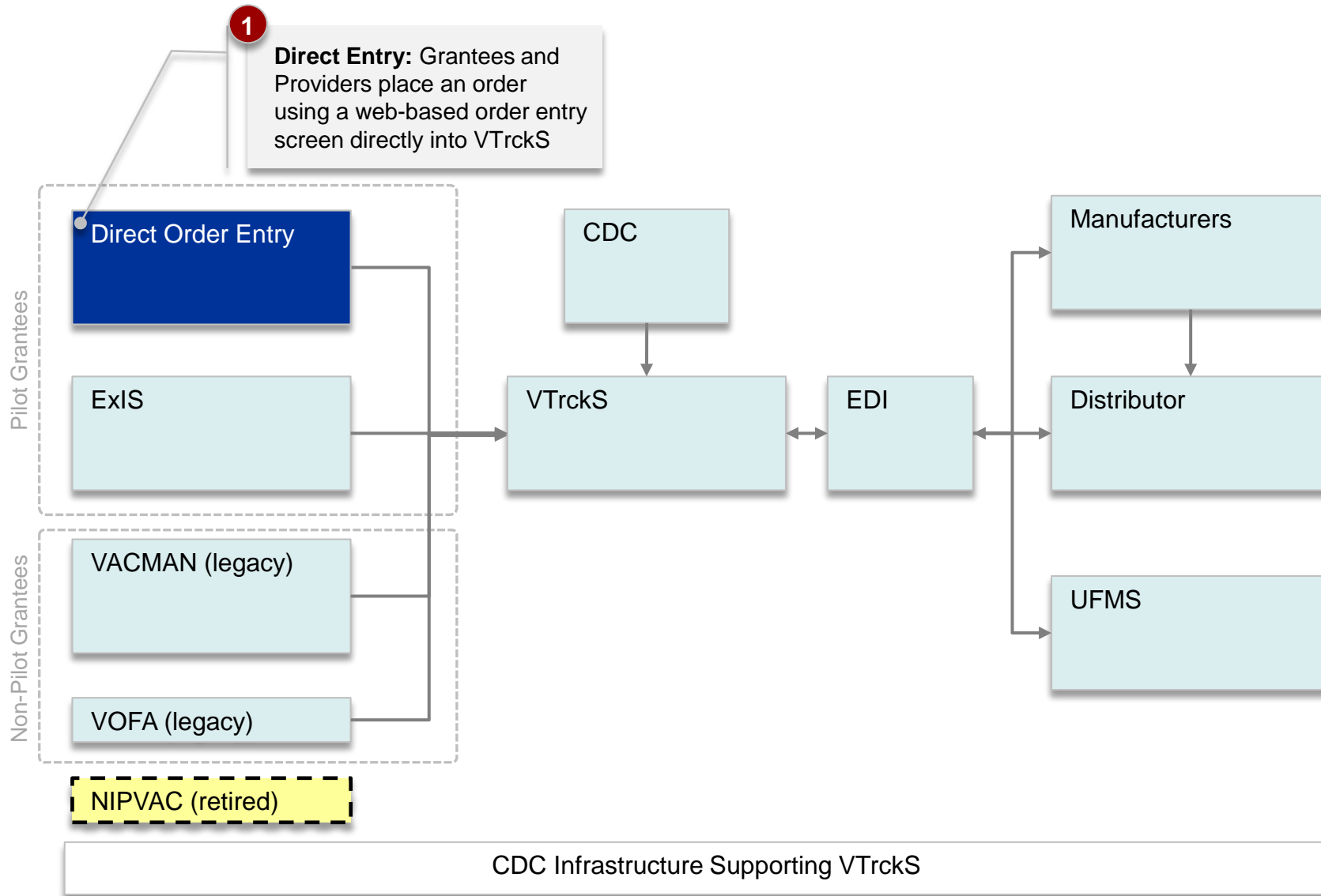
EXIS Functionality

- Support for Multiple Interface Versions
- Additional Grantee-Requested Fields
- File Uploads in Background or Foreground Modes
- History of All Uploads and Downloads

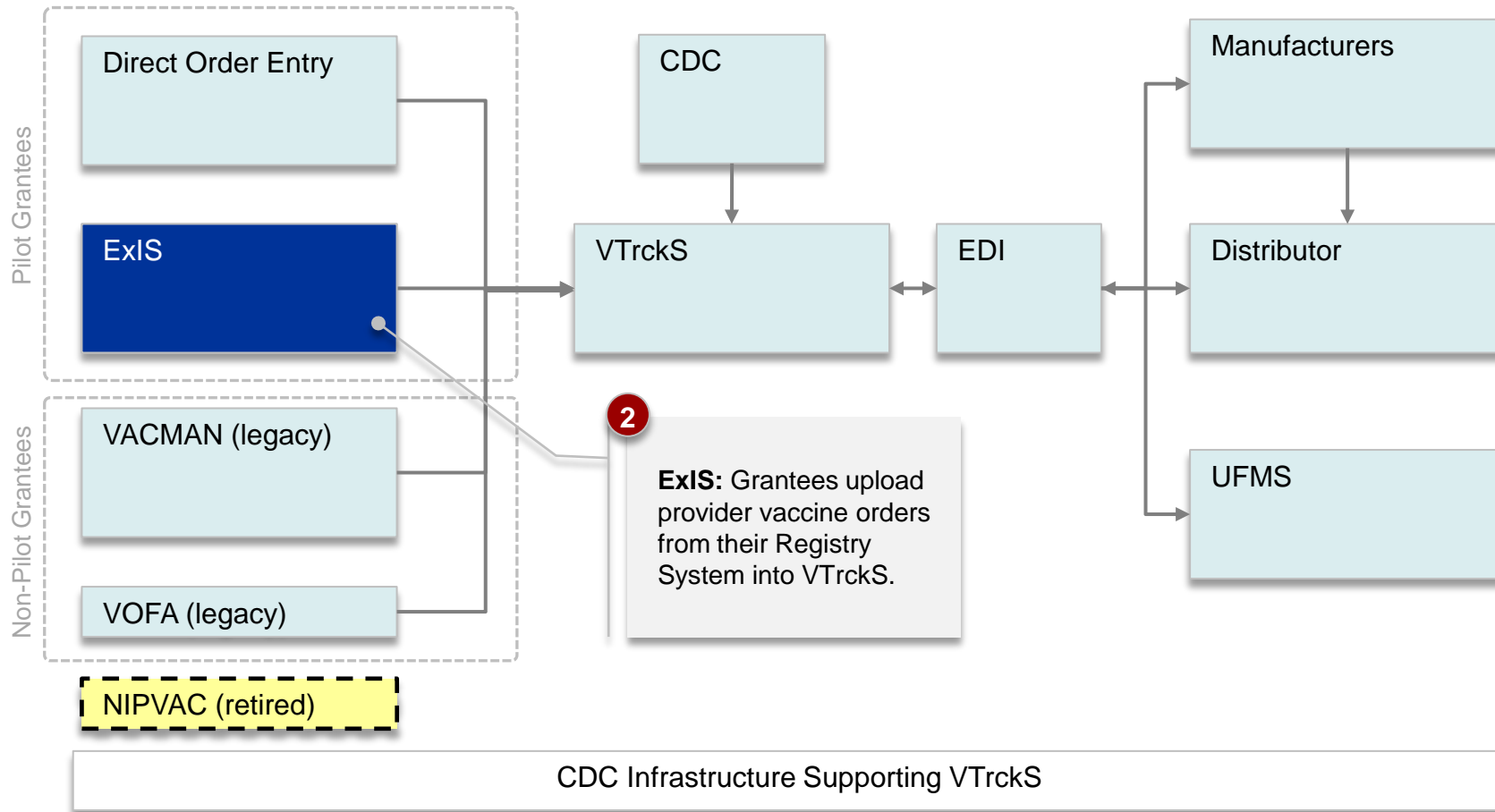
VTrckS High-Level System Landscape



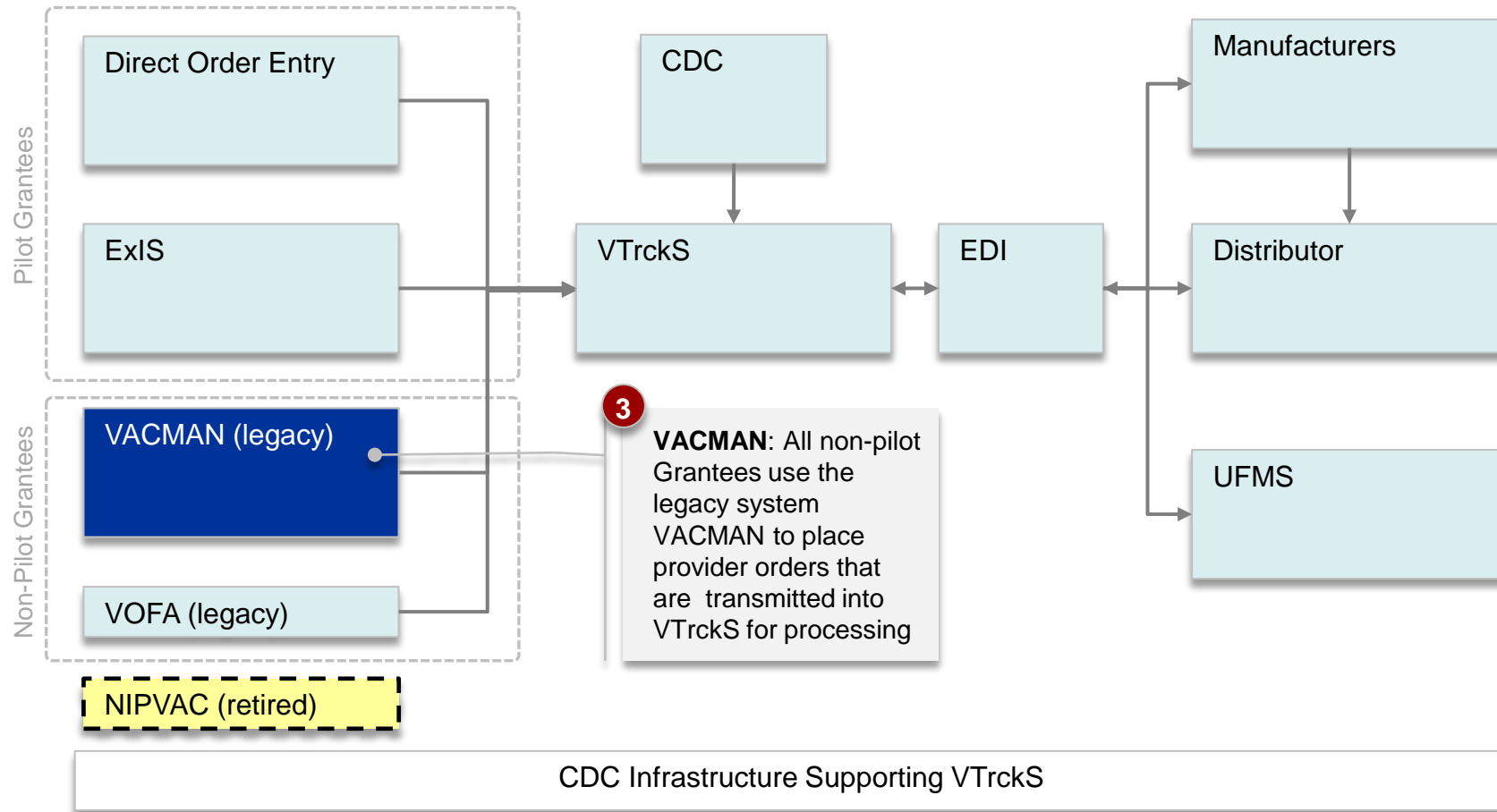
VTrckS High-Level Order Processing Flow



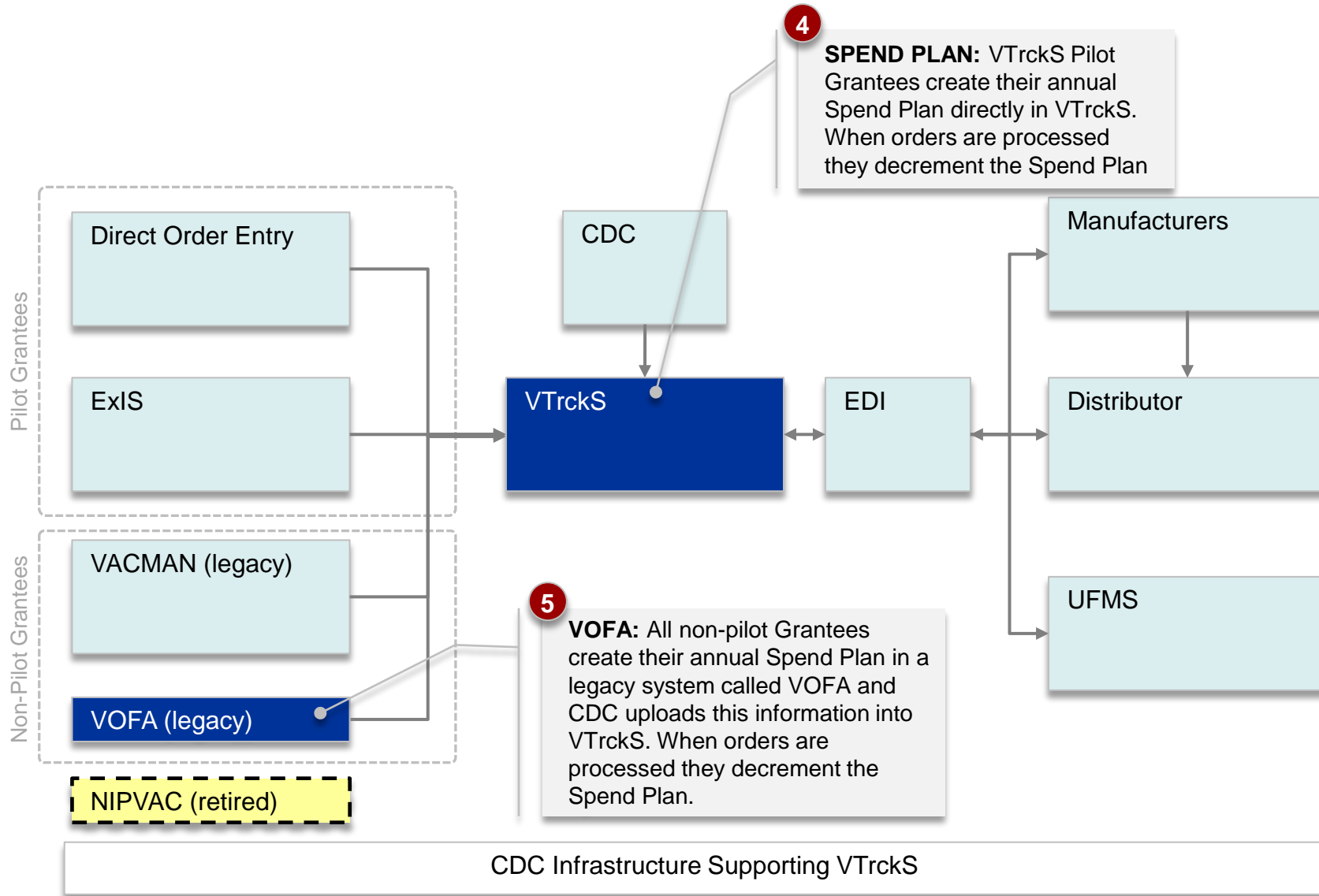
VTrckS High-Level Order Processing Flow



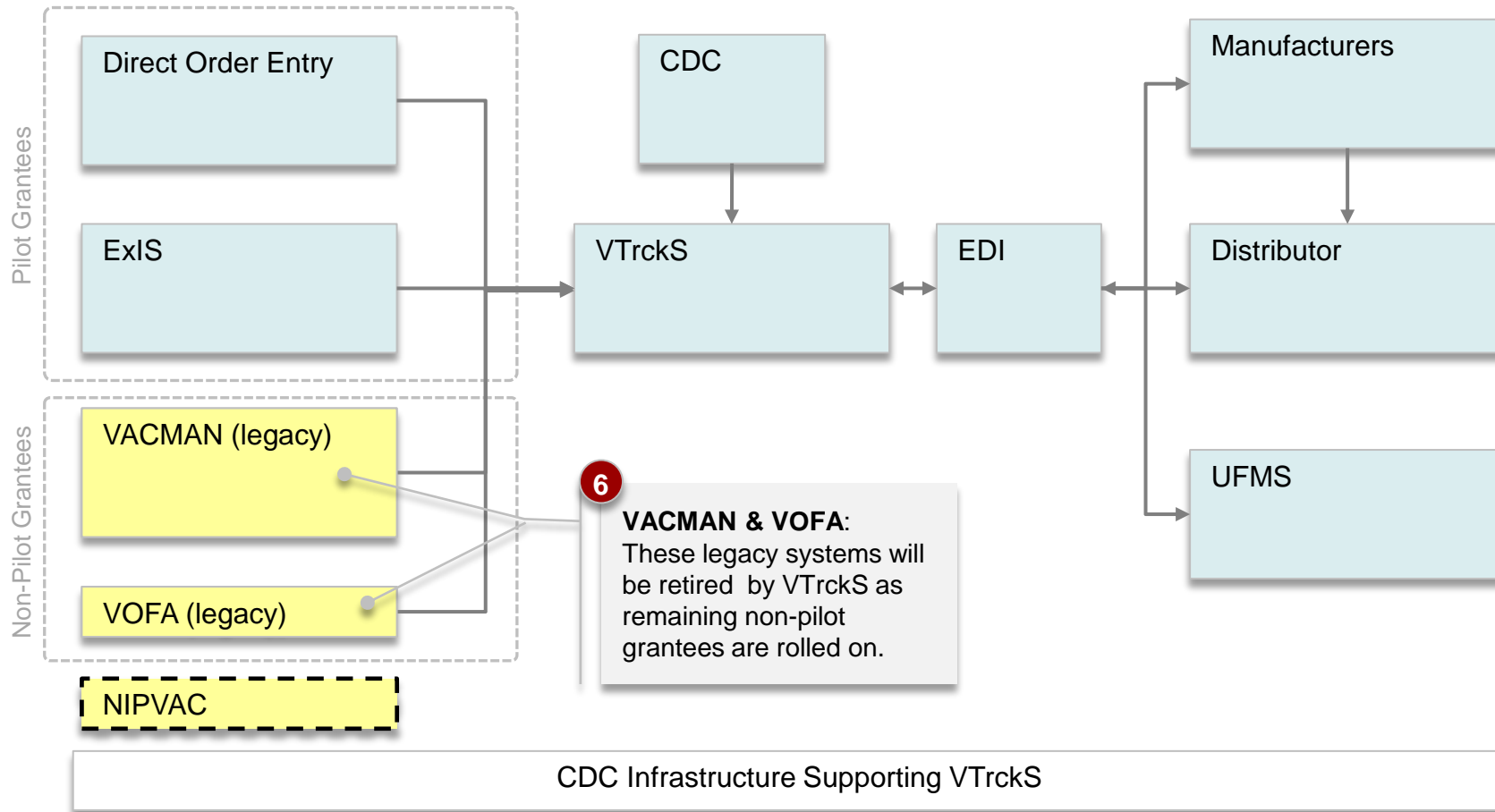
VTrckS High-Level Order Processing Flow



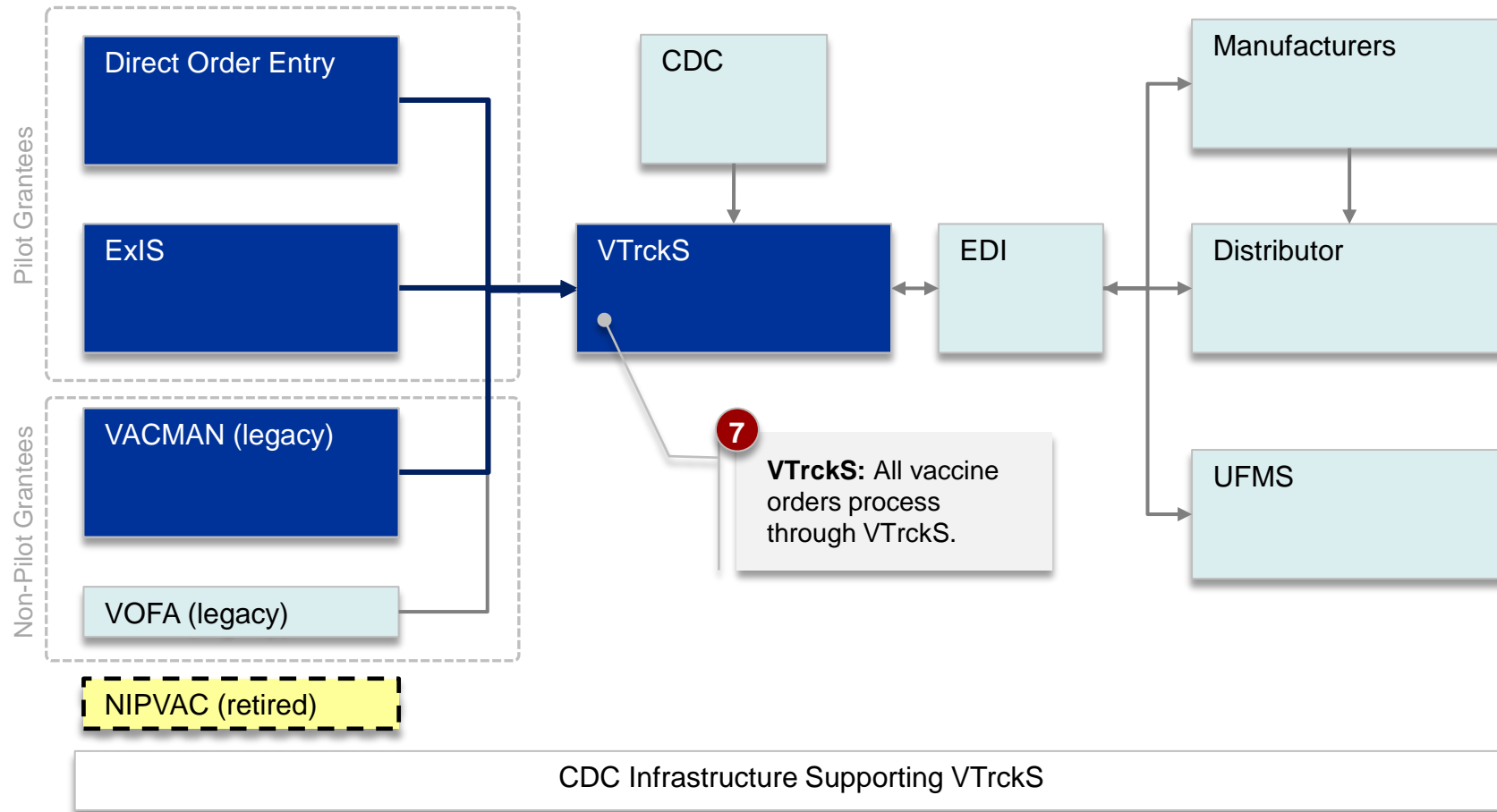
VTrckS High-Level Order Processing Flow



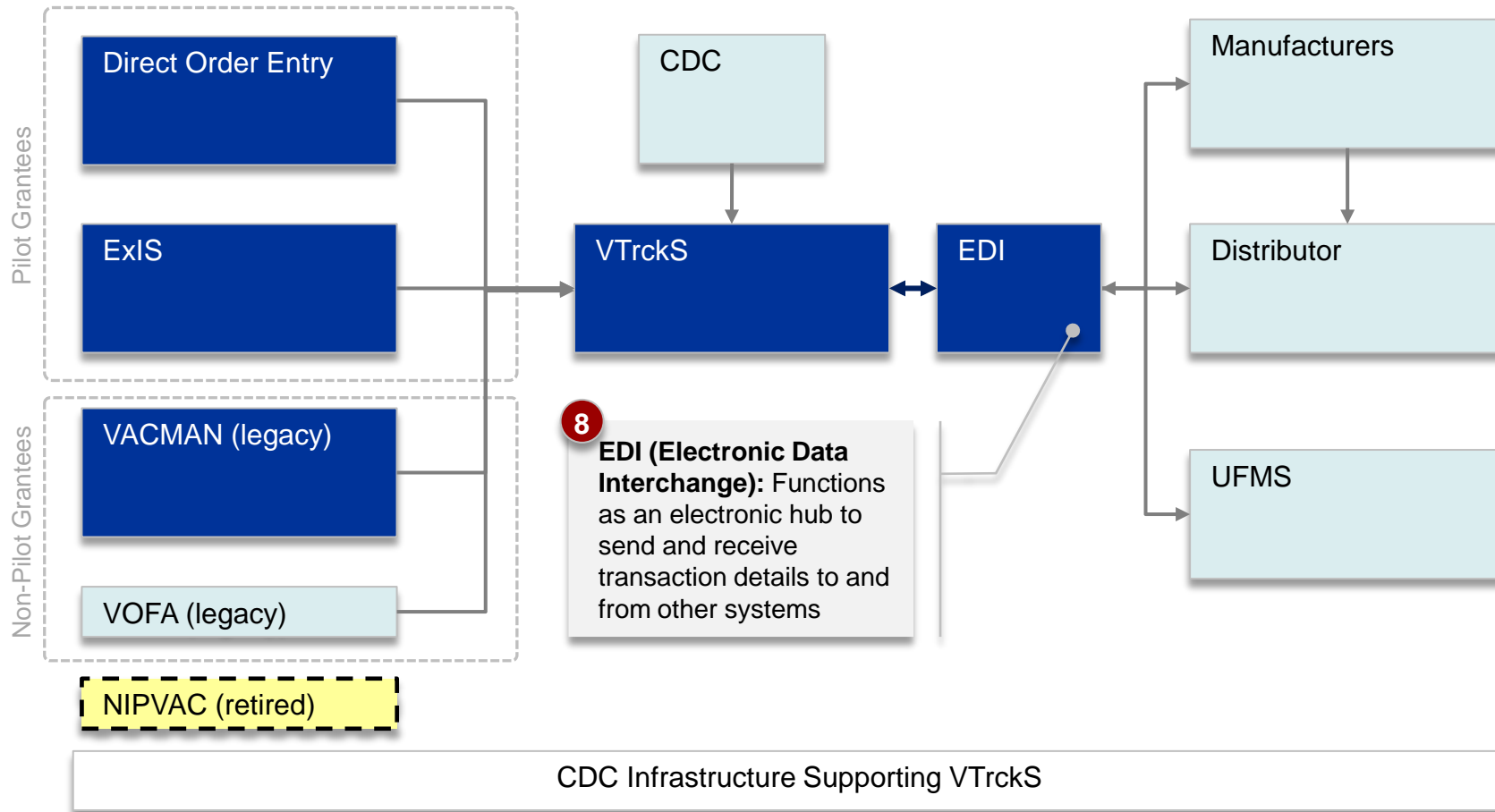
VTrckS High-Level Order Processing Flow



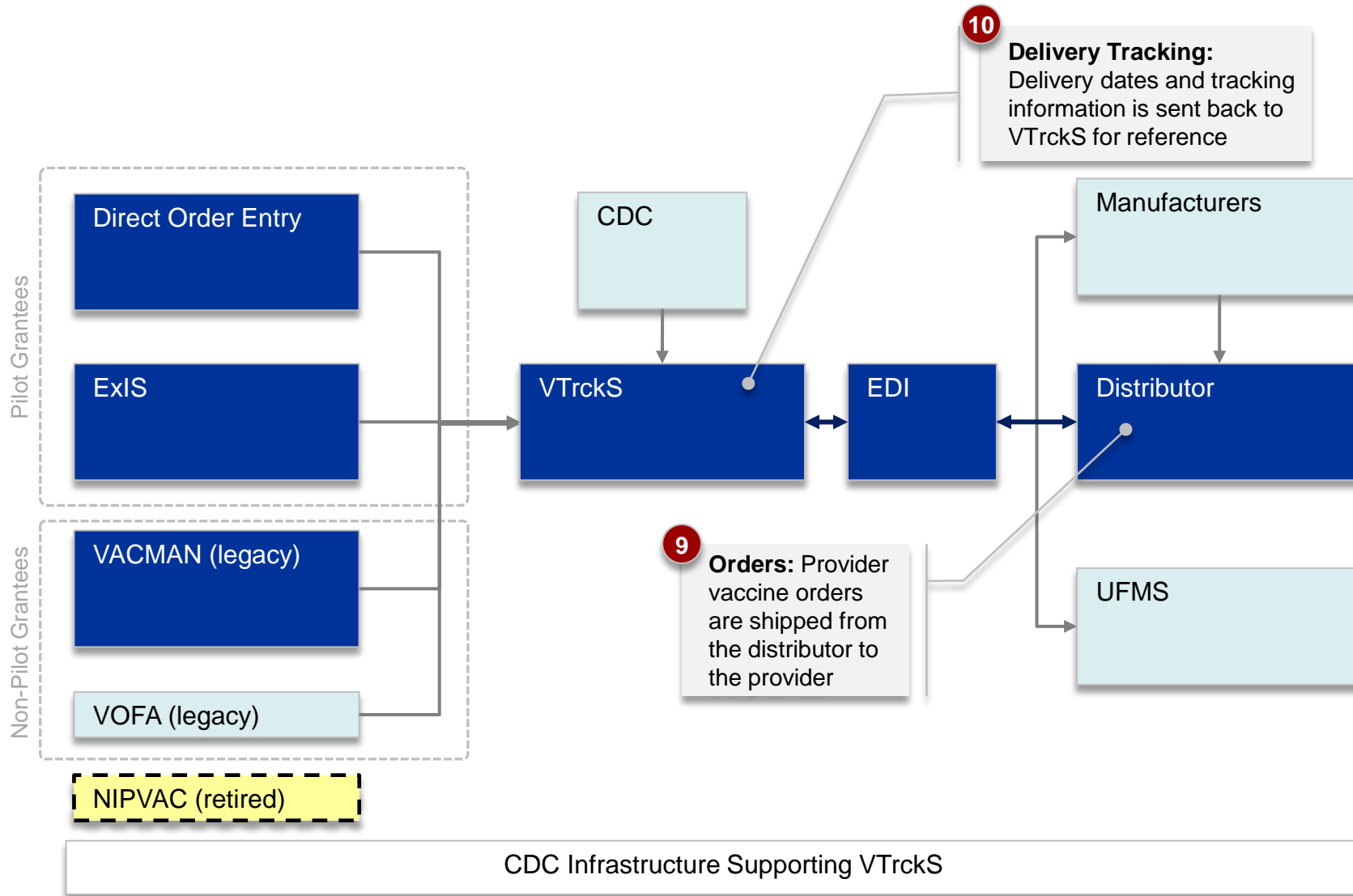
VTrckS High-Level Order Processing Flow



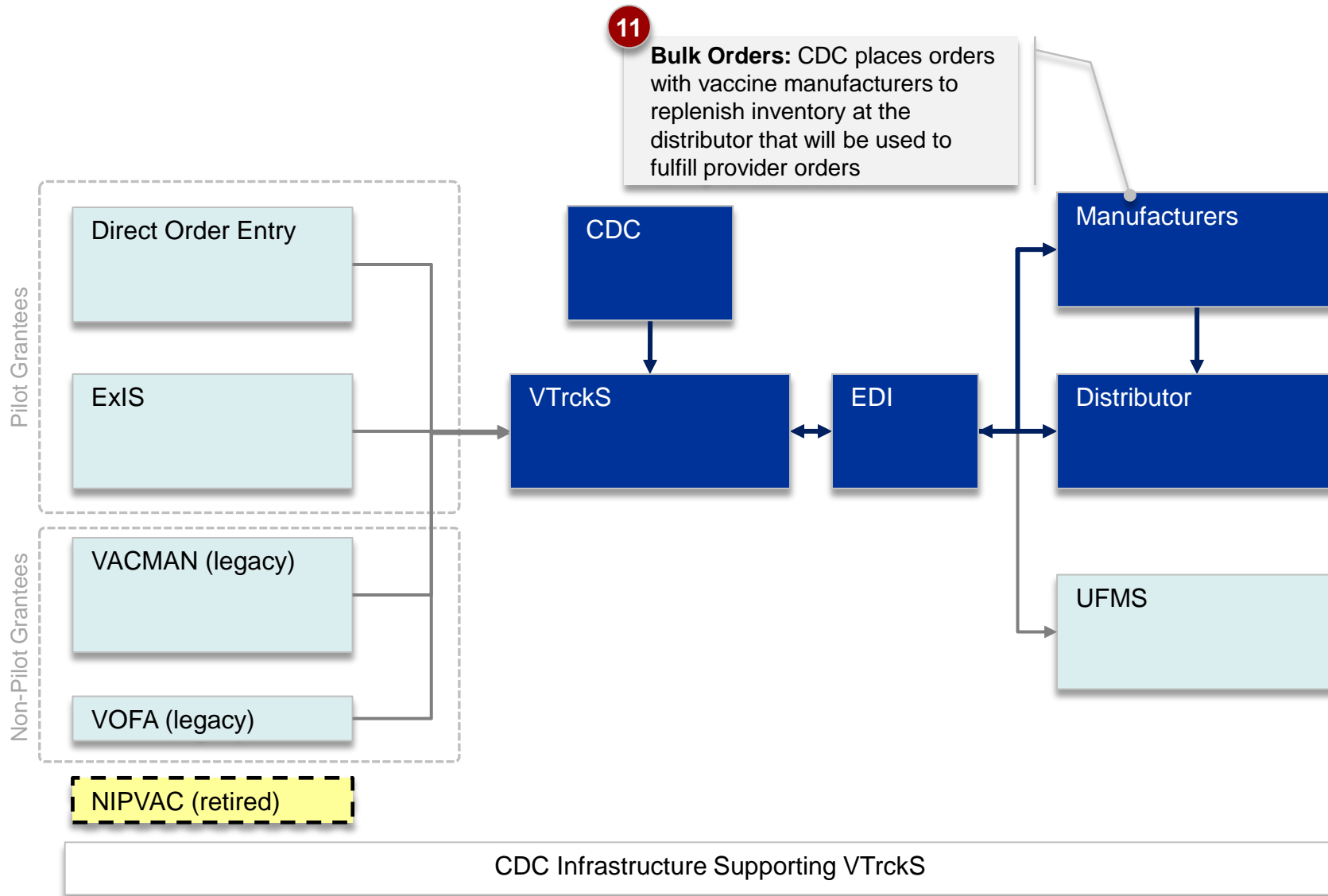
VTrckS High-Level Order Processing Flow



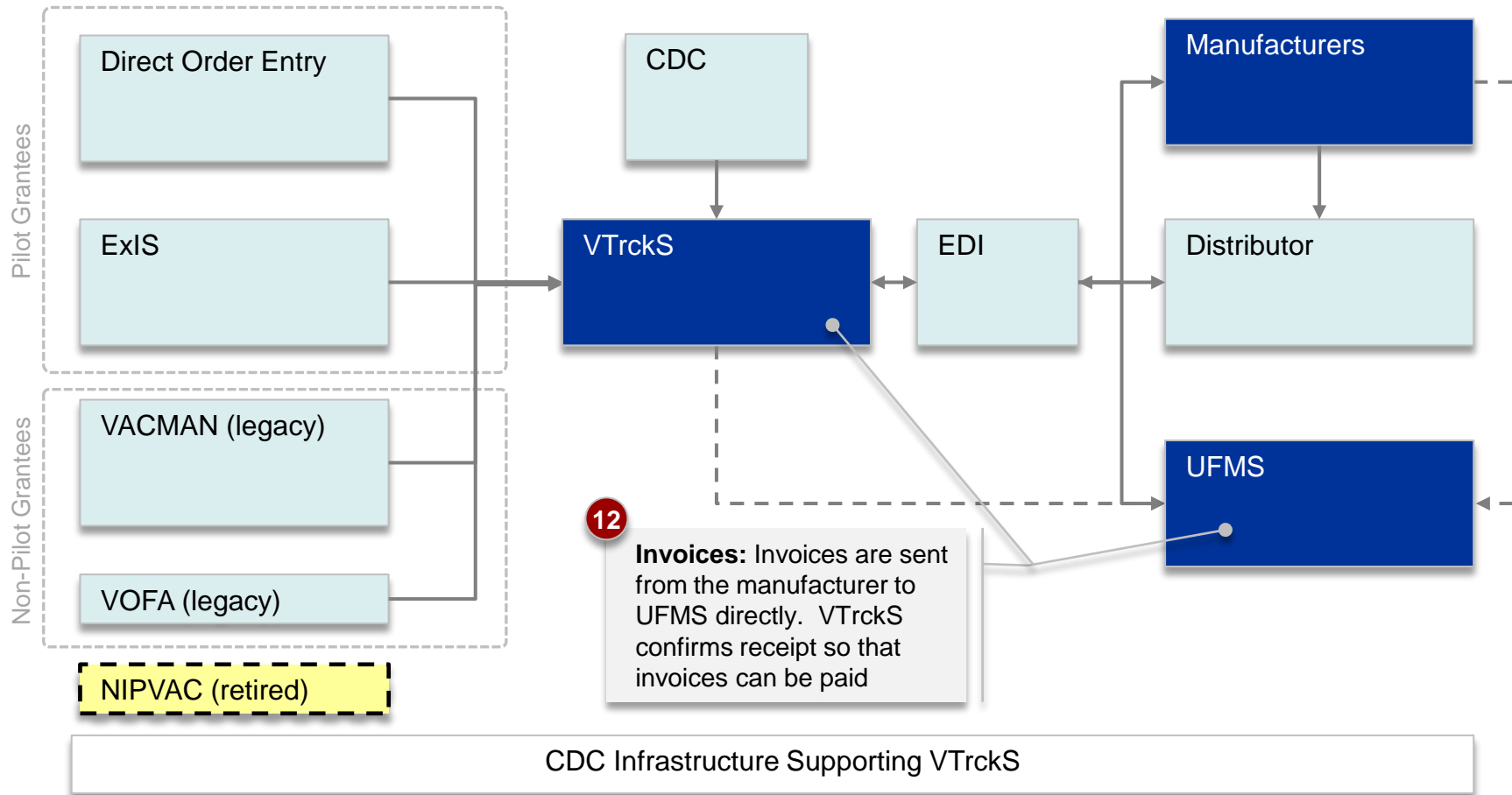
VTrckS High-Level Order Processing Flow



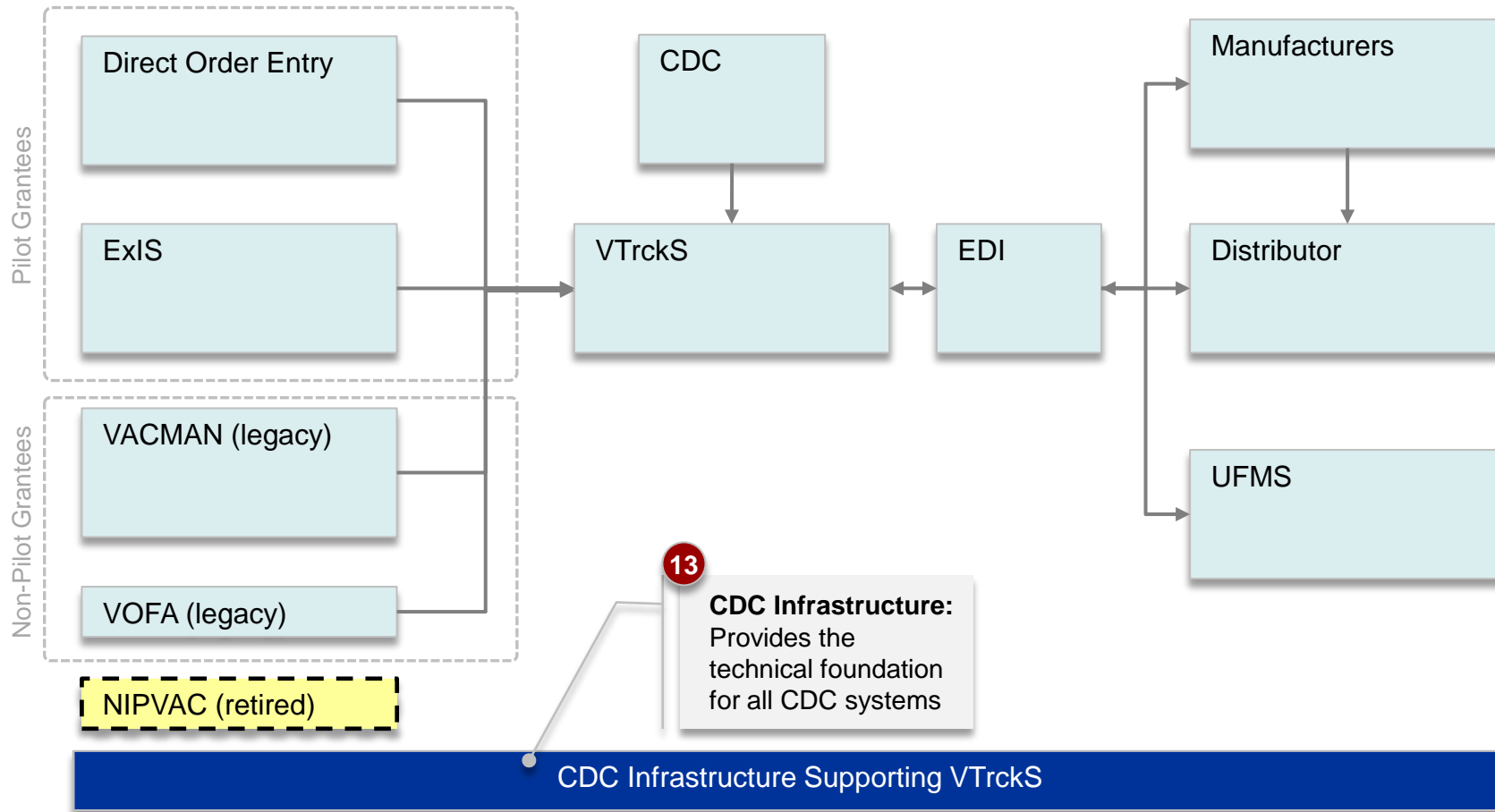
VTrckS High-Level Order Processing Flow



VTrckS High-Level Order Processing Flow



VTrckS High-Level Order Processing Flow



VTrckS Spend Plan and Vaccine Management Deployment Schedule

	Feb 27	Mar 1	Apr 2	May 1	Jun 1	Jul 2	Aug 1	Sept 4
Spend Plan	Original Pilots on Enhanced Functionality <i>Chicago</i> <i>Colorado</i> <i>Michigan</i> <i>Washington</i>	Spend Plan Pilots Enhanced Functionality NY City Ohio Utah Virginia	CNMI Florida Guam Louisiana Missouri Oregon Pennsylvania San Antonio West Virginia Virgin Isl	Arkansas Hawaii Kentucky Mississippi N. Carolina N. Hampshire New Jersey Oklahoma Rhode Island Wisconsin	Alabama Alaska Connecticut Idaho Iowa Kansas Maine Marshall Isl Micronesia Montana Nebraska	California DC Delaware Georgia New Mexico S. Carolina S. Dakota Tennessee Texas Vermont Wyoming	Arizona Illinois Indiana Maryland Mass. Minnesota N. Dakota Nevada NY State Philly Puerto Rico	A Samoa Palau
FY 2012	Feb	Mar	Apr	May	June	July	Aug	Sept
Vaccine Management	Feb 27 Original Pilots Enhanced Functionality <i>Chicago</i> <i>Colorado</i> <i>Michigan</i> <i>Washington</i>			<i>Louisiana</i> <i>Mississippi</i> <i>West Virginia</i> CNMI Guam	<i>Alaska</i> <i>New Jersey</i> Alabama Nebraska Virgin Isl	<i>Montana</i> <i>Tennessee</i> <i>Wyoming*</i> DC Vermont	<i>Ohio*</i> <i>Missouri</i> <i>N. Hampshire</i> San Antonio	Blackout Period VTrckS Catch-up
Cumulative # Grantees fully deployed	4	4	4	9	14	19	23	23

ExIS, VTrckS Direct

- An asterisk (*) indicates a grantee receiving PPHF funding for ExIS development
- All grantees in a month are trained and go-live together as a wave.

Deployment Schedule (continued)

Spend Plan								
FY 2013	Oct	Nov	Dec	Jan	Feb	Mar	Apr	May
Vaccine Management	Blackout Period VTrckS Catch-up	<i>Florida*</i> <i>Connecticut</i> <i>Nevada</i>	<i>Georgia</i> <i>N. Dakota*</i> <i>S. Dakota</i> <i>Indiana</i>	<i>Arizona*</i> <i>Idaho</i> <i>NY City</i> <i>NY State*</i> <i>Oregon*</i> <i>Rhode Island</i> <i>Wisconsin*</i> <i>Kentucky</i>	<i>Illinois</i> <i>Pennsylvania</i> <i>S. Carolina</i> <i>Virginia</i> <i>A Samoa</i> <i>Marshall Isl</i> <i>Micronesia</i> <i>Palau</i>	<i>Delaware</i> <i>Hawaii*</i> <i>Maryland</i> <i>Texas</i>	<i>Arkansas</i> <i>Iowa</i> <i>Kansas*</i> <i>Maine</i> <i>Mass. *</i> <i>Minnesota*</i> <i>Oklahoma</i> <i>Philly</i>	<i>California</i> <i>N. Carolina*</i> <i>New Mexico</i> <i>Puerto Rico</i> <i>Utah*</i>
Cumulative # Grantees fully deployed	23	26	30	38	46	50	58	63

ExIS, VTrckS Direct

- An asterisk (*) indicates a grantee receiving PPHF funding for ExIS development
- All grantees in a month are trained and go-live together as a wave.
- Houston is not part of this deployment plan thus only 63 grantees in total

VTrckS Demo

- Direct Entry Provider Vaccine Ordering
 - Provider Site Navigation Overview
 - Create Supporting Documents (Inventory On Hand)
 - Search existing Vaccine Orders, including Tracking Numbers
 - Search Catalog View
 - Select Vaccines to Shopping Basket
 - Create Vaccine Orders
- Grantee Vaccine Order Management
 - Search Rejected Vaccine Orders for Review
 - Approve Vaccine Orders
- ExIS Considerations